

## Features

- Stainless case protects against vibration and pulsation
- Back, bottom, or panel mounted
- Stainless Steel or Brass wetted parts
- Restrictor Screw standard

## Applications

- Outdoor and severe ambient and process conditions
- Use where harmful vibration and pulsation are present
- Hydraulic equipment, pressure washers, oil field equipment, pumps, Compressors and process systems

## Specifications

### Dial

2.5"(63mm), 4"(100mm), 6"(150mm)  
white aluminum

### Case

304 stainless steel

### Lens

Polycarbonate

### Ring

304 stainless steel, baynet

### Pointer

Aluminum black adjustable

### Socket

316 stainless steel

### Connection

1/4", 1/2", 3/8" in NPT, BSP, BSPT

### Bourdon Tube

316 stainless steel

### Movement

Stainless steel

### Protection

IP65

### Over-pressure Limit

30% for pressures up to 600psi (42 bar),  
15% for pressures over 600psi (42 bar)

### Working Pressure

Maximum 75% of full scale value



### Pressure Range

From Vacuum to 0-60000psi (4000 bar)

### Ambient/Process Temperature

-40°F to 150°F (-40°C to 65°C) dry  
14°F to 150°F (-10°C - 65°C) glycerine filled

### Accuracy

±1.5% - 2.5"(63mm)  
±1.0% - 4"(100mm), 6"(150mm) and 10"(250mm)

### Option

U-Clamp  
Front Flange  
Back Flange  
Blowout Disk  
Safety Glass Lens  
316 stainless steel case or ring  
±0.5% accuracy for 6"(100mm) dial  
Glycerine, Silicone, Halocarbon and Fluorolube fill  
Brass, monel and other wetted part available  
Other connection sizes available upon request

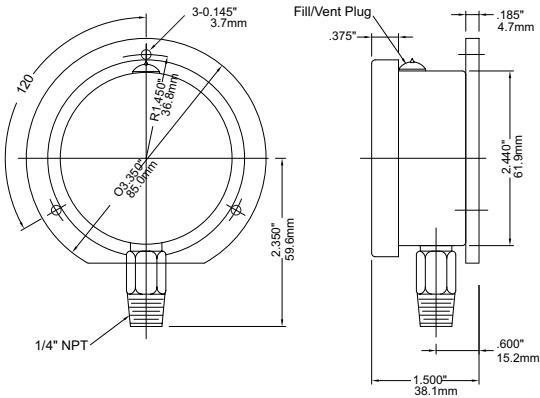
## Order Information

Series/ Dial Size/ Case Materials/ Wetted Parts/ Configuration/ Connection Size/ Thread/ Range/ Option

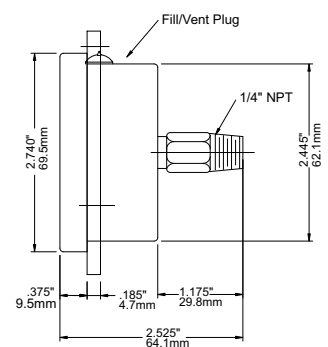
# PFP - Liquid Fillable Premium Gauge

## Dimensions

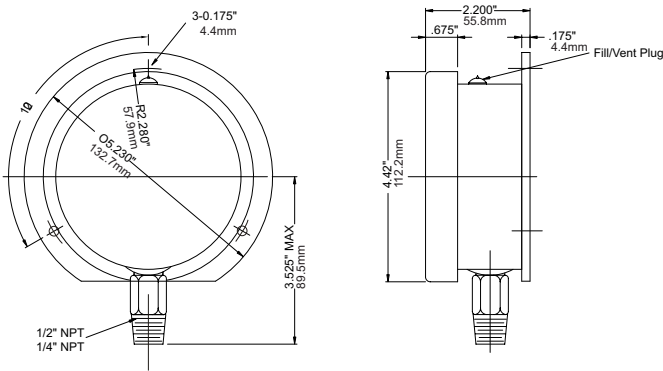
2.5" Bottom Connection with optional Back Flange



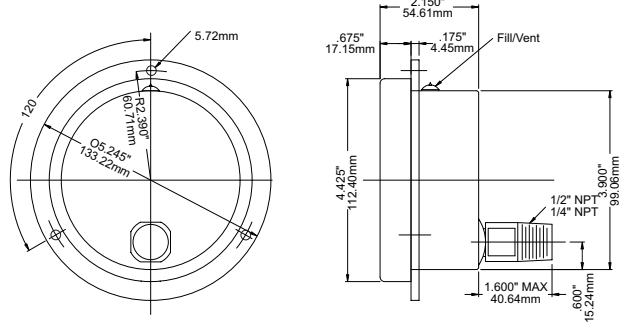
2.5" Back Connection with optional Front Flange



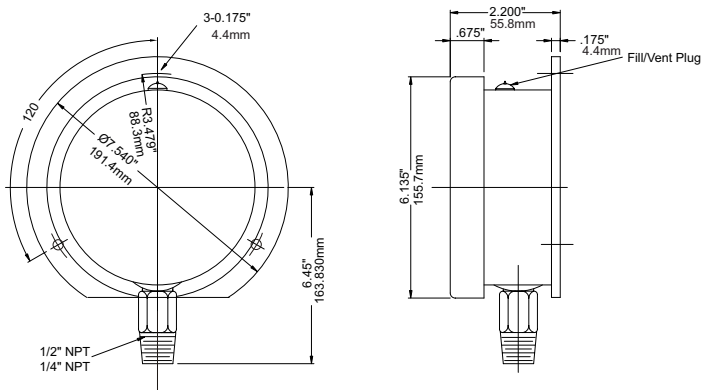
4" Bottom Connection, Back Flange Option



4" Back Connection, Front Flange Option



6" Bottom Connection, Back flange



6" Back Connection, Front flange

