

Features

- 316L stainless steel sanitary fittings & diaphragm
- Totally flush diaphragm
- Waterproof construction
- Pressure range from 30"Hg vacuum to 1000psi
- True zero with re-zero feature
- 8 microinches surface finish wetted parts
- Clean in place



Specifications

Dial

2.5"(63mm), 3.5"(90mm) and 5"(120mm)
white aluminum

Case

304 stainless steel

Lens

Polycarbonate

Pointer

Aluminum, black externally adjustable

Ring

304 stainless steel

Wetted parts

316L stainless steel

Process connection

1.5" Tri-Clamp

Diaphragm

316L stainless steel

Standard Fill

Food grade glycerine

Pressure Range

From vacuum to 0-1000psi (0-70bar)

Over Range Capability

30%

Process Temperature

0°F to 500°F (-18°C to 260°C)

Accuracy

±0.75%

Protection

IP65

Shipping Weight

Approx.3 lbs.(1.3kg)

Available Fitting

Tri-Clamp, Cherry-Burrell "I" line,
Cherry-Burrell "Q" , APC "K" Clamp,
G & H "H" Line

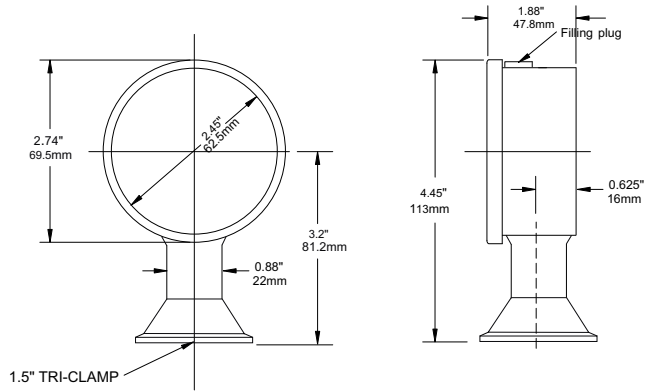
Order Information

Series/ Dial Size/ Case Materials/ Wetted Parts/ Configuration/ Connection Size/ Thread/ Range/ Option

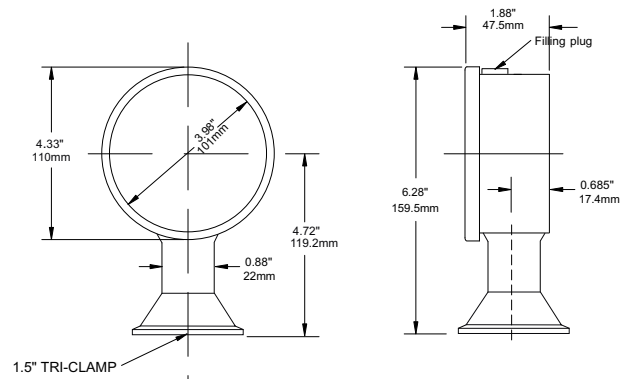
PPG - Pharmaceutical Gauge

Dimensions

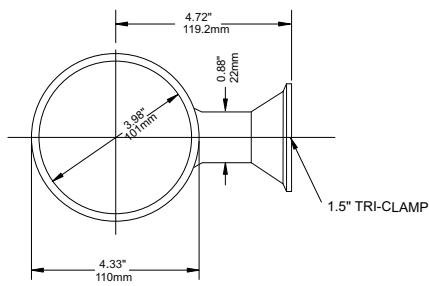
2.5" Bottom Connection



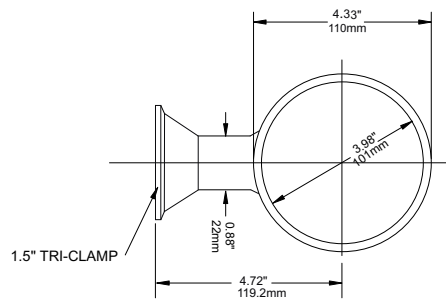
4" Bottom Connection



4" Right Side Connection



4" Left Side Connection



4" Back Connection

