

Features

- Full safety pattern solid front blow out back
- 0.5% accuracy
- Stabilizer dampened movement minimizes effects of pulsation and vibration without liquid filling
- Stainless Steel full rotary movement
- Micrometer pointer for ease in calibration
- Under & Overload stops
- 316 SS, Brass, Monel or Carbon steel wetted parts

Application

- Used where operator safety is a must
- Ideally suited for process, chemical and petroleum industry application where chemical compatibility and contamination is a concern
- Process where pulsation or vibration exist



Specifications

Dial

4.5"(115mm) white aluminum

Case

Phenolic with safety blowout back,
Solid front, integral back flange

Lens

Polycarbonate

Ring

Phenolic

Pointer

Anodized aluminum

Socket

316 stainless steel or brass

Connection

1/4", 1/2", 3/8" in NPT, BSP, BSPT

Bourdon Tube

316 stainless steel or brass

Movement

Stainless steel or brass

Protection

IP65

Pressure Range

From vacuum up to 0-20000psi (0-1380bar)

Ambient/Process Temperature

-40°F to 150°F (-40°C to 65°C)

Over-pressure Limit

25% for pressures up to 1500psi

15% for pressures 1500 to 9000psi

10% for pressures above 9000psi

Working Pressure

Maximum 75% of full scale

Accuracy

+/-0.5% of full scale

O-ring

Nitrile

Options

Solid Front Hinged Case

Safety Glass

Flush mounted ring

Monel tube and socket

Other ranges available upon request

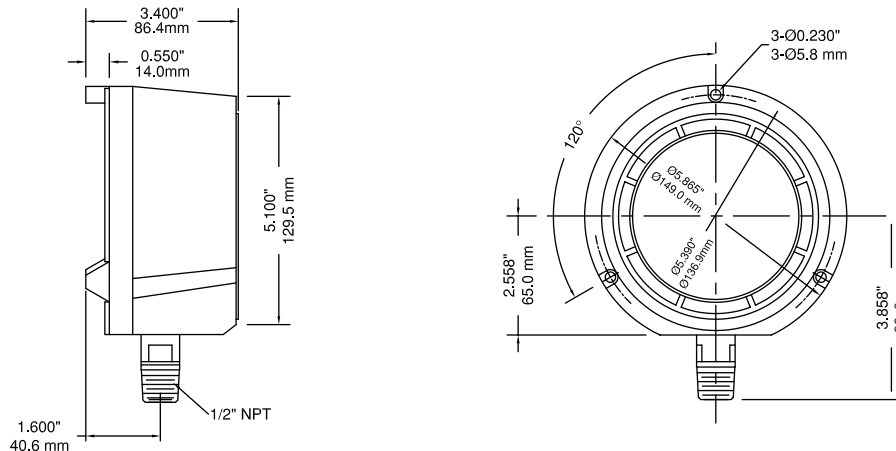
Order Information

Series/ Dial Size/ Case Materials/ Wetted Parts/ Configuration/ Connection Size/ Thread/ Range/ Option

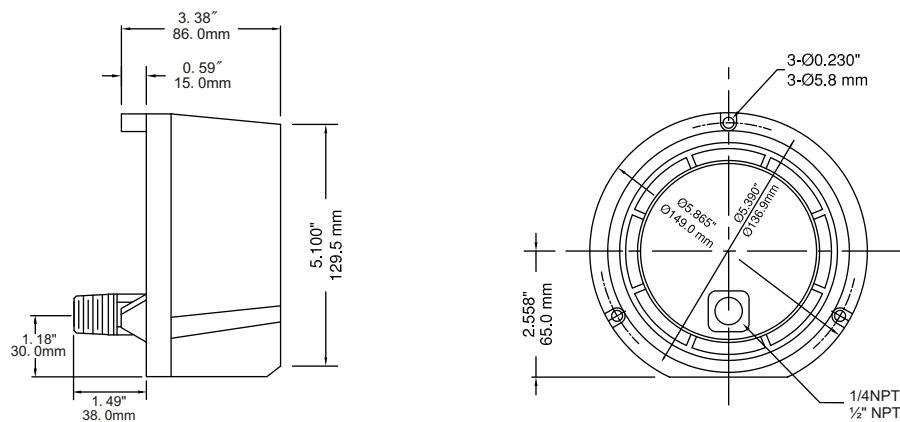
PPS - Stabilizer Process Gauge

Dimensions

4.5" (115mm) Bottom Connection



4.5" (115mm) Back Connection



Stabilizer Movement

