

## Applications

Be used in heating, plumbing, air conditioning and ventilation (HVAC) applications. Winters gold-coloured aluminum case thermometers are available in 4 1/2" (110mm) or 6" (150mm) scales. Offers ruggedness and durability in harsh industrial environments. A brass socket 1/2" NPT is standard (stainless steel optional) and the thermometer is available in either a straight model (bottom connection) or 90 angle model (back connection)

## Specifications

### Body

4.5"(110mm) or 6"(150mm)aluminum, anodized gold

### Scale

Black markings

### Tube

Class cushioned

### Liquid Filling

Blue organic liquid filled triangle glass tube

### Stem

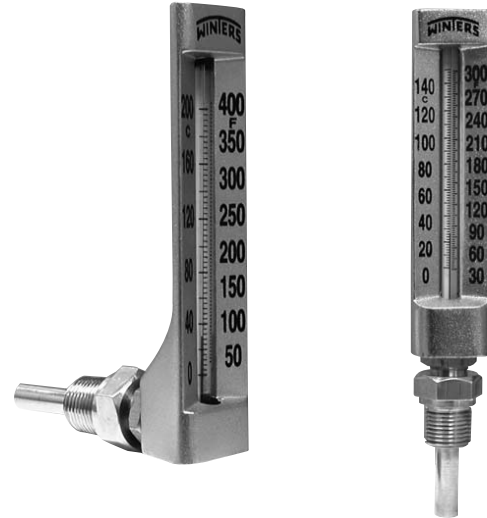
Brass standard, Stainless Steel option

### Connection

1/2" NPT, (1/2" BSP optional)

### Swivel Nut

Brass standard, or stainless steel optional (swivel & stem one unit)



### Operating Pressure

Maximum 710 psi (50bar)

### Ambient Temperature

-40°F-400°F (-40°C-200°C)

### Accuracy

±2.0%

### Operating Temperature

Maximum 80% of full scale value recommended

### Protection

IP 65

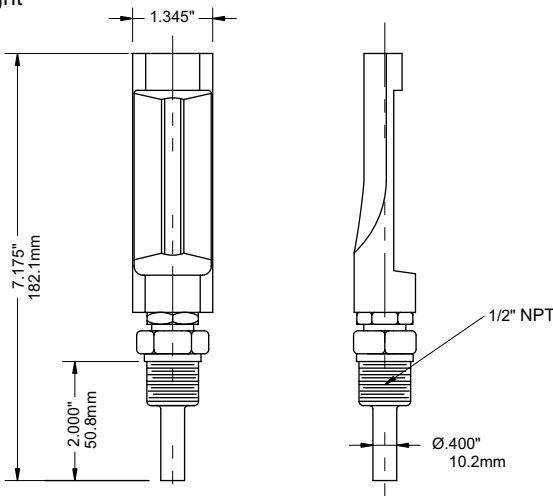
### Option

304 stainless steel thermowell

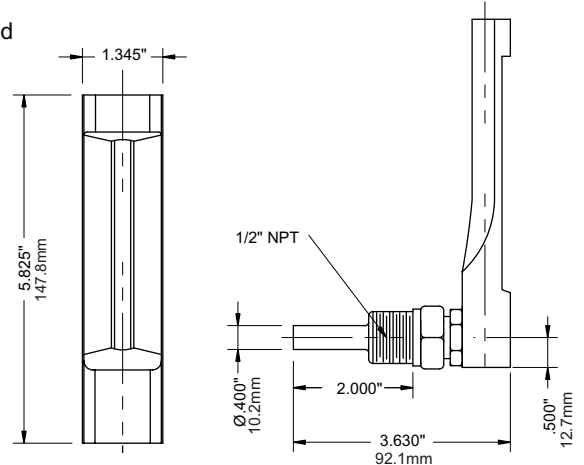
# TAG - HVAC (GC Series) Thermometer

## Dimensions

4.5" Straight



6" Angled



## How to Order

TAG -  -  -    -  -  -  -

### Scale Size

4.5" (115mm) ..... 4  
6.0" (150mm) ..... 6

### Configuration

Angle ..... A  
Bottom ..... B

### Stem Length

2" ..... 0 2 0  
3" ..... 0 3 0  
4" ..... 0 4 0  
Others(in inches X10) ..... x x x

### Stem Material

Brass ..... B  
304SS ..... 2

### Thread Size

1/2" ..... 2  
3/4" ..... 4  
Special ..... Z

### Thread Type

NPT ..... N  
BSP ..... B  
BSPT ..... T  
M20 x 1.5 ..... M

### Range

-40/110 F(-40/40 C) ..... B 4 1  
20/180 F(-5/80 C) ..... B 2 1  
30/120 F(0/50 C) ..... B 3 1  
30/240 F(0/115 C) ..... B 3 2  
30/300 F(0/150 C) ..... B 3 3  
50/400 F(10/200 C) ..... B 5 4