

Features

- An all-purpose, economical thermometer with a vertical sensing tube and case
- Separable well
- Impact resistant polypropylene case
- Red liquid-in glass
- Dual scale (F/C)
- Back or bottom connected

Applications

- Hot Water Lines, Boilers, Heating, Ventilation and Air Conditioning



Specifications

Scale

Aluminum, painted white with black marking

Case

Polypropylene, black

Lens

Glass

Accuracy

±2.0%

Tube

Triangular glass cushioned

Liquid Filling

Blue organic

Stem

Brass

Swivel Nut

Brass

Thermowell

Brass 1/2" NPT (standard)

Operating pressure

Maximum 710psi (50kg/cm)

Ambient Temperature

-40°F to 122°F (-40°C to 50°C)

Protection

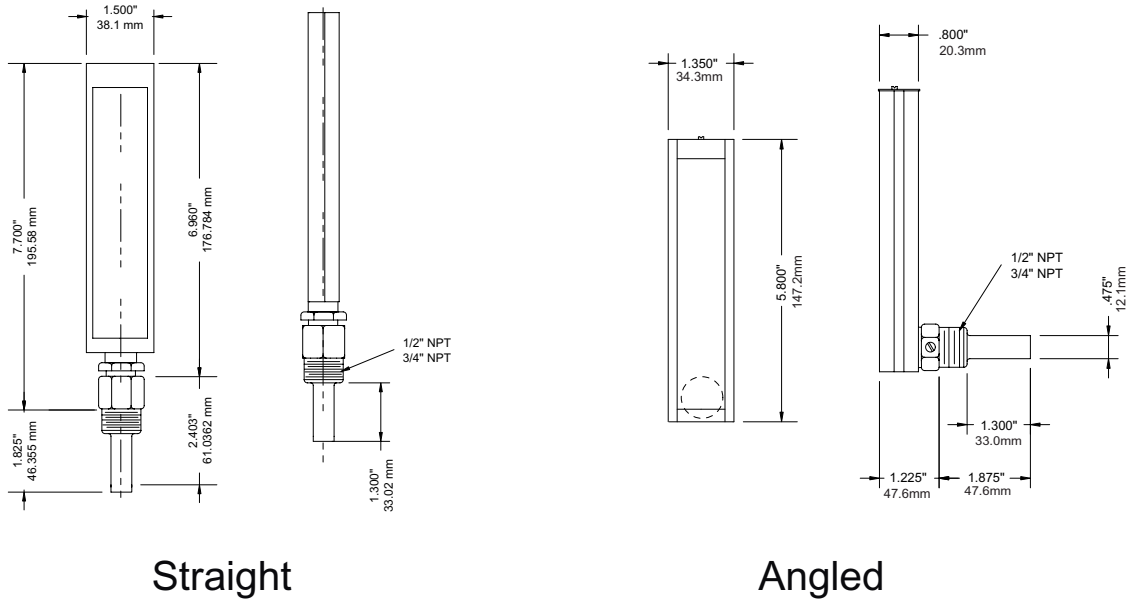
IP54

Options

1/2" BSP connection
 3/4" NPT or BSP connection
 304 stainless steel thermowell

TAS - Industrial 5AS Thermometer

Dimensions



How to Order

	TAS	-	<input type="text"/>	-	<input type="text"/>	<input type="text"/>	<input type="text"/>	-	<input type="text"/>	-	<input type="text"/>	-	<input type="text"/>	<input type="text"/>	<input type="text"/>	<input type="text"/>
			↑		↑	↑	↑		↑		↑		↑	↑	↑	↑
Configuration			A													
Angle			B													
Bottom																
Stem Length																
2"					0	2	0									
3"					0	3	0									
4"					0	4	0									
Others(in inches X10)					x	x	x									
Stem Material																
Brass								B								
304SS								2								
Thread Size																
1/2"													2			
3/4"													4			
Special													Z			
Thread Type																
NPT														N		
BSP														B		
BSPT														T		
M20 x 1.5														M		
Range																
-40/110 F(-40/40 C)															B	4 1
20/180 F(-5/80 C)															B	2 1
30/240 F(0/115 C)															B	3 2
30/300 F(0/150 C)															B	3 3
50/400 F(10/200 C)															B	5 4