

Features

- A general purpose, versatile 1" to 6" dial, 304 stainless steel thermometer
- Hermetically sealed case
- Bi-metallic sensing element for reliable readings
- Back, bottom or adjustable angle connection
- Stem length from 2.5" and up
- Grade 1A accuracy 1%
- Anti-parallax dial that reduces operator reading errors
- Re-zero adjustment screws are standard on the 2" to 6" dials



Applications

- Industrial process, food processing and wastewater

Specifications

Dial

2"(50mm), 3"(75mm), 4"(100mm), 5"(125mm) and 6"(150mm)
Aluminum with black markings, dished shaped

Case

304 stainless steel

Lens

Glass standard, hermetically sealed

Ring

304 stainless steel

Accuracy

±1.0%

Pointer

Aluminum, painted black

Movement

Bi-metallic coil

Stem

304 stainless steel, centre back, bottom or adjustable angle configurations
(note: 2" dial only available with centre back connection)

Connection:

1/4" NPT standard for 2"(50mm) dial
1/2" NPT standard for 3"(75mm), 4"(100mm), 5"(125mm) and 6"(150mm) dials

Welding

TIG

Recalibrator

Standard

Maximum Operating Pressure

125 psi (8.6 bar)

Ambient Temperature

-58°F - 248°F (-50°C - 120°C)

Operating Temperature

Recommended maximum 75% of full scale value

Protection

IP 65

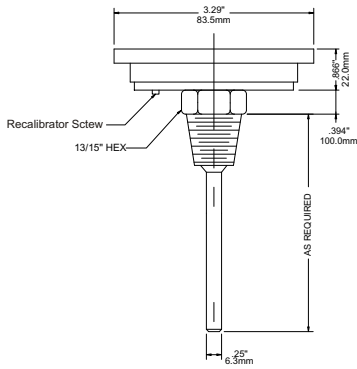
Options

Acrylic lens
Glycerin Filling
Sliding Union
Shatterproof glass lens
Aluminum Duct Flange
Socket Conversion Kit
316 stainless steel stem
Longer stem lengths are available
Silicone fill is available
1/4" stem diameter standard; 6, 8, 10 and 12mm available
Other ranges, connections and stem lengths are available upon request

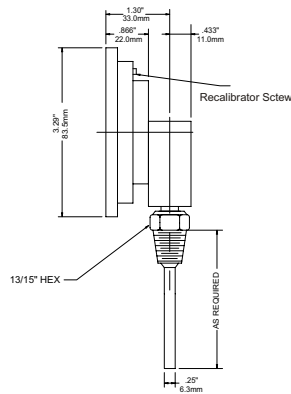
TBM - Bi-Metal Thermometer

Dimensions

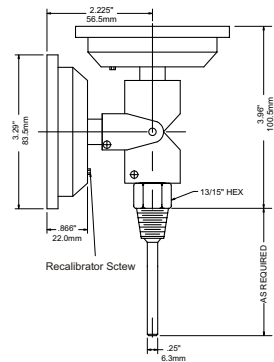
3" Back Connection



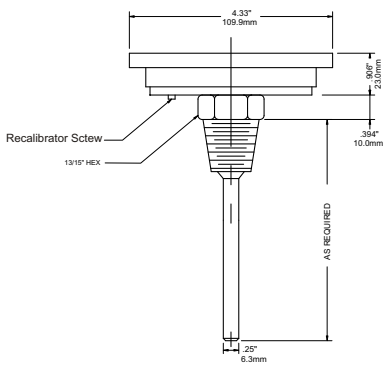
3" Bottom Connection



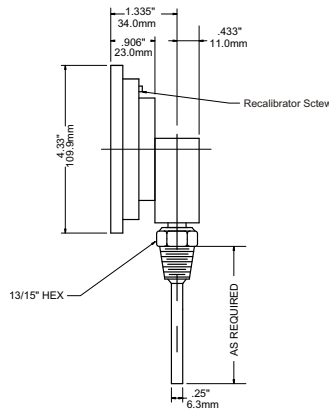
3" Adjustable Angle



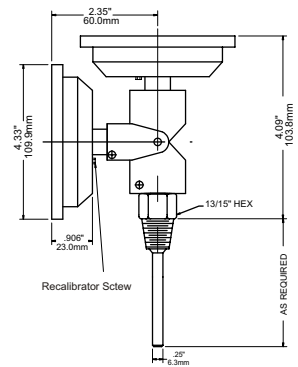
4" Back Connection



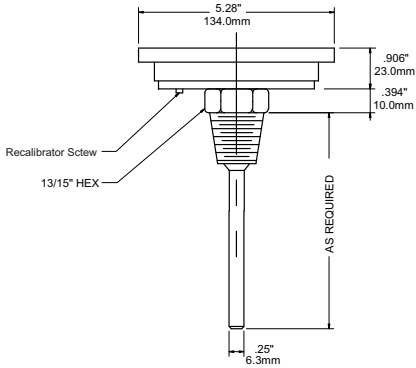
4" Bottom Connection



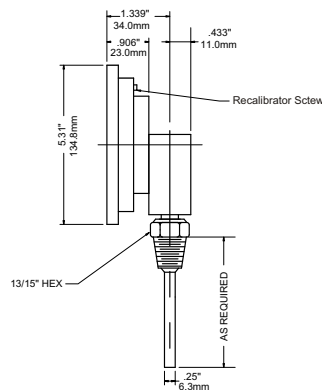
4" Adjustable Angle



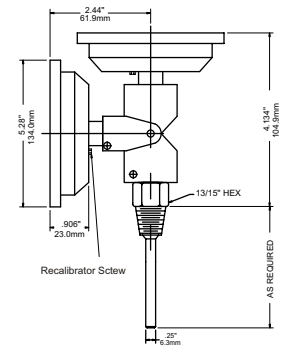
5" Back Connection



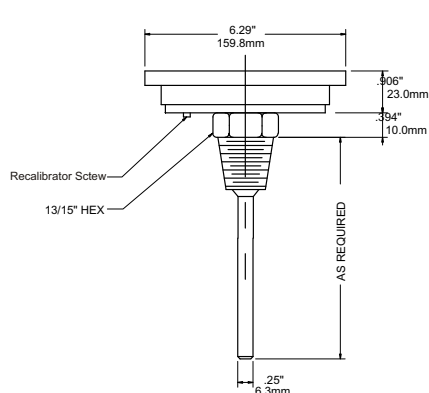
5" Bottom Connection



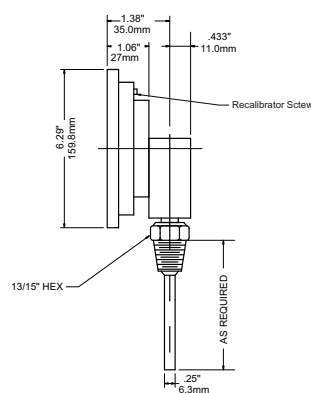
5" Adjustable Angle



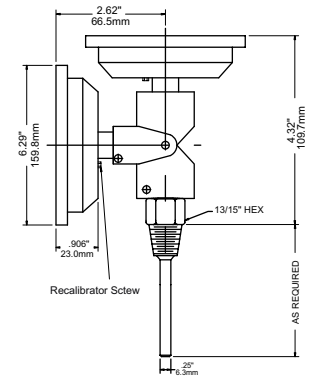
6" Back Connection



6" Bottom Connection



6" Adjustable Angle



TBM - Bi-Metal Thermometer

Ordering Code TBM

TBM - - - - - - - - - -

Dial Size

- 1"(25.4mm)
- 2.0"(50mm)
- 3.0"(75mm)
- 4.0"(100mm)
- 5.0"(125mm)
- 6.0"(150mm)

- 1
- 2
- 3
- 4
- 5
- 6

Configuration

- Back
- Bottom
- Adjustable Angle

- 0
- 1
- 2

Stem Length

- 2.5"
- 3"
- 4"
- 5"
- Others(in inches X10)

- 0 2 5
- 0 3 0
- 0 4 0
- 0 5 0
- X X X

Stem Material

- 304SS
- 316SS

- 2
- 5

Stem Diameter

- 6mm
- 6.35mm
- 8mm
- 10mm
- 12mm

- 1
- 2
- 3
- 4
- 5

Extension Length

- Without
- 50mm
- 100mm
- Others(in mm x 0.1)

- 0 0
- 0 5
- 1 0
- X X

Thread Size

- 1/4"
- 3/8"
- 1/2"
- Special

- 4
- 3
- 2
- Z

Thread Type

- NPT
- BSP
- BSPT
- M20 X1.5

- N
- B
- T
- M

Range

X X X

F & C (Dual)	Code	F only	Code	C only	Code
-100/150 F(-70/70 C)	B01	-40/120 F	B14	-80/50 C	B26
-40/120 F(-40/50 C)	B02	-40/160 F	B15	-50/50 C	B27
0/140 F(-20/60 C)	B03	0/140 F	B16	0/50 C	B28
-40/160 F(-40/70 C)	B04	0/200 F	B17	-50/100 C	B29
25/125 F(-5/50 C)	B05	20/240 F	B18	0/100 C	B30
0/200 F(-20/90 C)	B06	0/250 F	B19	-20/120 C	B31
20/240 F(-5/115 C)	B07	50/300 F	B20	0/150 C	B32
0/250 F(-20/120 C)	B08	50/400 F	B21	0/200 C	B33
50/300 F(10/150 C)	B09	50/550 F	B22	0/300 C	B34
50/400 F(10/200 C)	B10	150/750 F	B23	0/450 C	B35
50/500 F(10/260 C)	B11	0/800 F	B24	100/550 C	B36
150/750 F(100/400 C)	B12	200/1000 F	B25	--	--
200/1000 F(100/540 C)	B13			--	BXX

Options

- Acrylic Lens
- Glycerin Filling
- Silicone Filling
- Aluminum Duct Flange
- Glass Lens
- Sliding Union
- Socket Conversion Kit
- Safety Glass

- A
- G
- S
- D
- L
- U
- K
- T

