

Features

- Versatile, inert gas and vapor remote thermometers
- 2.5" to 8" dials available
- Brass or stainless steel capillary and bulbs
- Direct with capillary
- Range between -40 and 600°C

Specifications

Dial

2.5"(63mm), 3.5"(90mm), 4"(100mm), 4.5"(115mm) and 6"(150mm) white aluminum with black figures

Case

Black steel, aluminum and stainless steel

Accuracy

±0.5% of full scale for gas fill
±2.0% of full scale for vapor fill

Pointer

Aluminum with micrometer adjustment

Working Temperature

From 1/10 to 3/4 of full scale

Capillary

Double braided copper
Stainless steel, plain
Stainless steel, armor

Lens

Polycarbonate or glass

Capillary length

Maximum 25 meters

Protection

IP 55

Thermal drift

±0.6% for every 10°C variation from 20°C



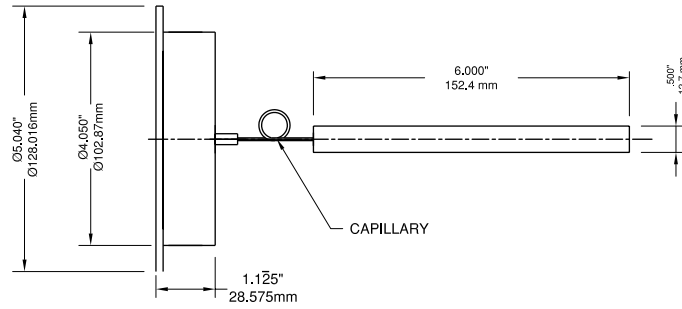
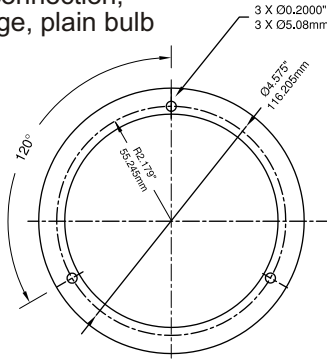
Options

Duct flange
Sliding Union
Metal Tag Plate
Laminated Safety Glass
Other ranges are available upon request

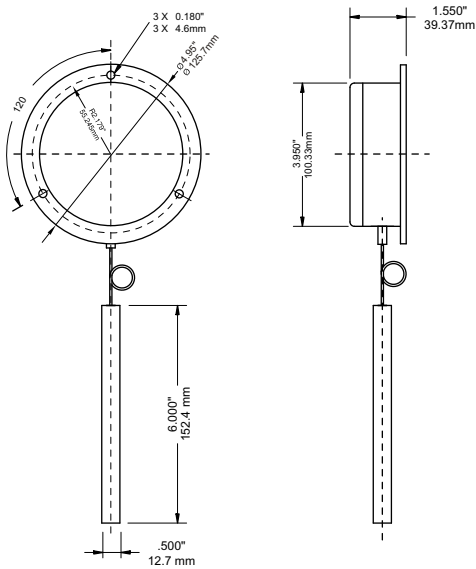
TRR - Remote Reading Thermometer

304 ss case

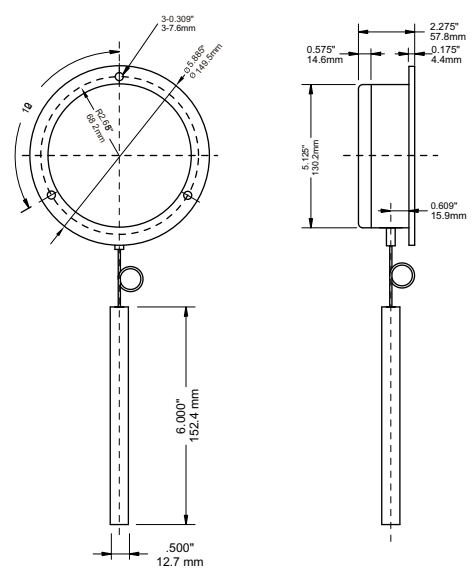
4" back connection,
front flange, plain bulb



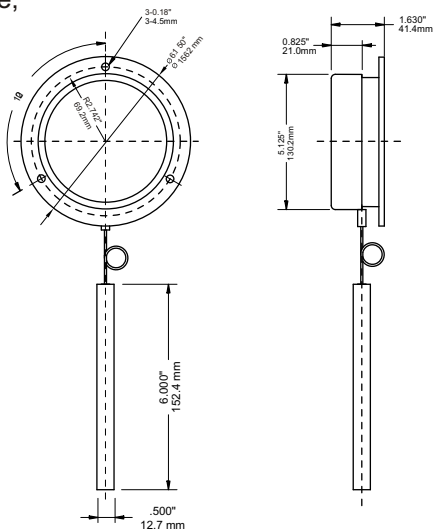
4" bottom connection,
back flange, plain bulb



4.5" bottom connection,
back flange, plain bulb



4.5" bottom connection,
back flange,



6" gas remote reading, bottom connection,
back flange, plain bulb

