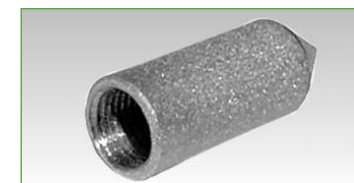
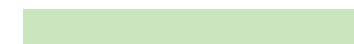


# Accessories

## Filters

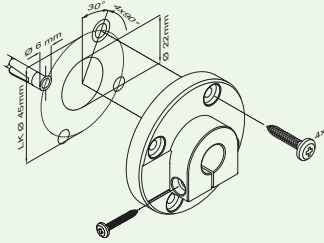
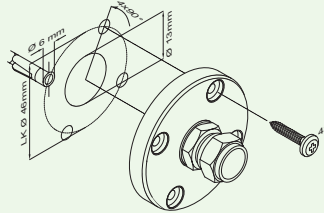
To protect the sensor elements from pollution, the transmitters are equipped with filter caps. The right choice of filters depends on the application and is very important to maintain free operation. Please ask your local E+E distributor.

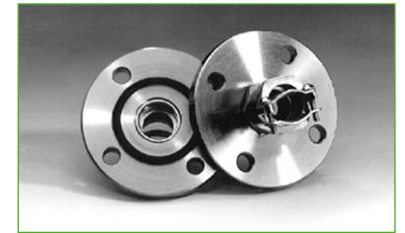
NAME	ASSEMBLY	FEATURES	TYP. APPLICATIONS	ORDER CODE
<b>membrane filter</b>	material: PC housing special PTFE foil laminated on plastic carrier size of pores: 1 µm	average filter effect temperatures up to max. 80degC (176°F) t 10/90: 15 s	building automation	HA010101
<b>stainless steel sintered filter</b>	material: sintered stainless steel size of pores: 10 µm	for hard mechanical stress and strong pollutions temperatures up to 180 degC (356°F) unsuitable for high humidity measurement t 10/90: 30 s	drying processes	HA010103  HA010107 for EE29/31-xEx EE30EX
<b>plastic grid filter</b>	material: PC	no filter effect - only mechanical protection quick response time t 10/90: appr. 5 s	hand held instruments data loggers	HA010104
<b>PTFE - filter</b>	material:sintered PTFE size of pores: 50 µm	high chemical resistance temperatures up to 180 degC (356°F) t 10/90: 14 s	drying processes in chemical applications	HA010105
<b>metal grid filter</b>	material: PC housing with stainless steel wire mesh size of pores: 100 µm	for small mechanical stress mean pollution temperatures up to 120 degC (248°F) suitable for high humidity applications t 10/90: 7 s	drying processes danger of saturation or applications with RH > 90 %	HA010106
<b>stainless steel grid filter</b>	material: stainless steel housing with stainless steel wire mesh	for hard mechanical stress temperatures up to 180 degC (356°F) average pollution suitable for high humidity measurement t 10/90: 7 s	drying processes	HA010109



## Mounting Flanges

Different mounting flanges make the installation of E+E sensor probes easier.

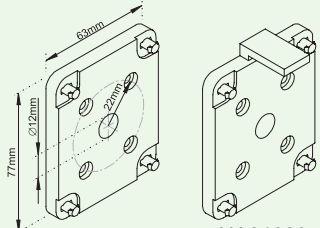
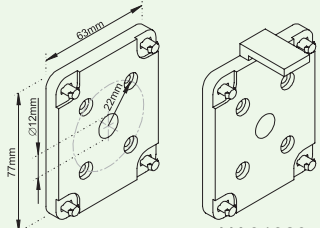
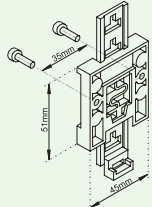
NAME	SUITABLE FOR	DIMENSIONS	ORDER CODE
plastic mounting flange	HVAC transmitters max. temperature: 60 degC (140°F)		HA010202
stainless steel mounting flange	Industrial transmitters EE23, EE29 / EE31		HA010201



59

## Snap in

For quick and easy installation and deinstallation.

NAME	SUITABLE FOR	DIMENSIONS	ORDER CODE
snap in - mounting flange for wall mounting	EE14, EE16 EE21 EE65, EE66		HA010204
snap in - mounting flange for duct mounting			HA010205
bracket for installation onto mounting rails	EE22, EE23, EE29, EE31, EE35 EE36		HA010203



## LC Display

For on site reading various versions are adjustable with a display.

NAME	SUITABLE FOR	ORDER CODE
LC display + cover	EE30EX	D01
LC display + cover	EE22 EE23 EE29/31, EE35, EE36	D07 D03 D05



09

## Power Supply Unit

NAME	DESCRIPTION	SUITABLE FOR	ORDER CODE
power supply unit	external plug power supply input: 100 - 240V AC 50-60Hz / 180mA output: 18V DC / 330mA	HVAC and industrial transmitters	V02



## Replacement Sensors

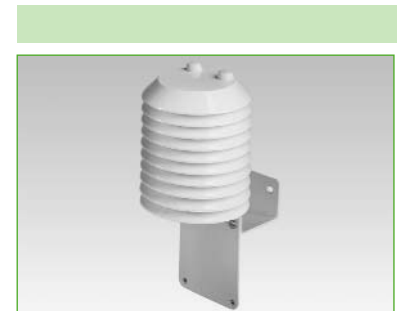
NAME	DESCRIPTION	SUITABLE FOR	ORDER CODE
Replacement sensors	Replacement humidity sensor with sensor data	EE29 / EE31 / EE30EX / EE23	FE10
	Replacement humidity sensor without sensor data		FE09
	Replacement temperature sensor		TE38



## Radiation Shield

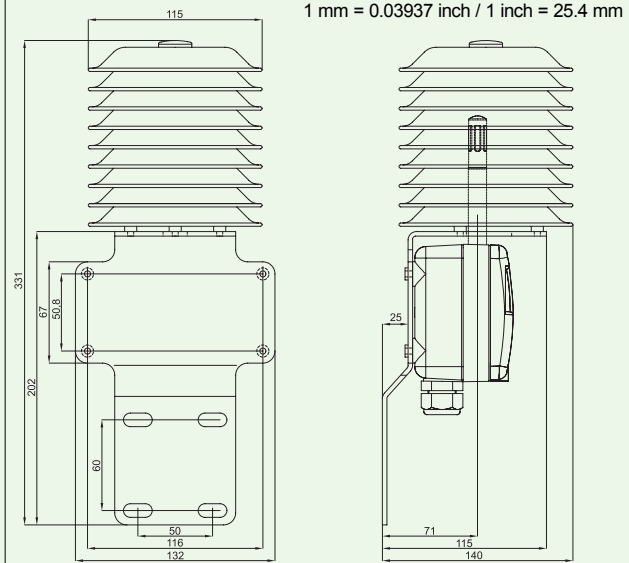
For outdoor applications the transmitters must be equipped with a radiation shield. This causes a forced ventilation which largely prevents overheating of the sensing probe in the sun. It also protects the sensing probe against dripping water.

NAME	SUITABLE FOR	DIMENSIONS	ORDER CODE
radiation shield with mounting bracket for wall mounting transmitters	EE21-xA2x	<p>1 mm = 0.03937 inch 1 inch = 25.4 mm</p>	HA010501
radiation shield with clamping ring	transmitters with remote sensor probe EE06		HA010502



radiation shield with  
mounting bracket for  
wall mounting transmitters

Serie EE23



HA 010504



dripping water protection

all E+E sensor probes

outer diameter 85 mm (3.3 inch)

HA 010503

